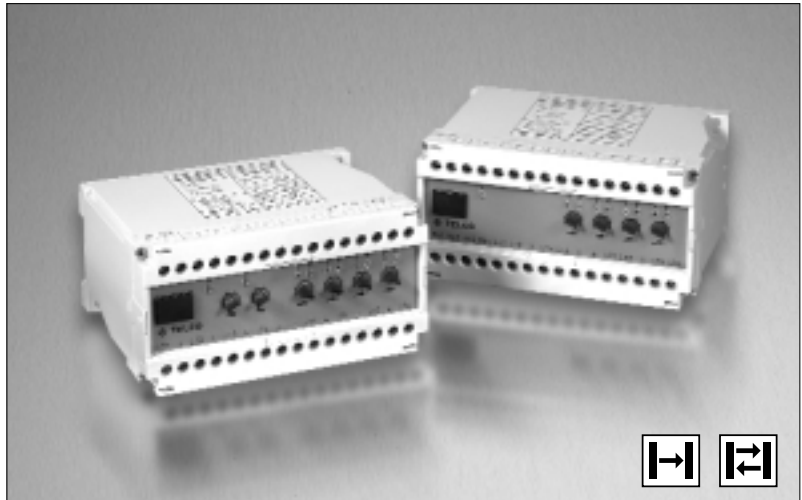


Description

- Operation mode and max sensing range:
Thru beam: 0-35 m
Diffuse proximity: 0-3 m
- 230 V ac, 115 V ac, 24 V ac or 24 V dc supply voltage
- Manual sensitivity adjustment
- Adjustable on/off time delay
- 4 relays and/or 4 transistor individual outputs
- 1 relay and 1 transistor common output
- Switch selectable light or dark function
- Switch selectable long or short range
- Power, output and signal level indicators
- Screw terminals connection



The MPA 41 is to be used in conjunction with 4 sets of remote transmitters LT and receivers LR, from the series 100, 110 and 120.

The 4 channels operate independently of each other with their own set of remote transmitter and receiver. The multiplexing function ensures that optical cross talk between channels is prevented. The series offers a choice between 4 individual relays and/or 4 individual NPN/PNP



transistor outputs, or 1 common relay and 1 common transistor output which features an adjustable 0-10 sec on/off time delay.

This amplifier series offers manual sensitivity adjustment for each individual channel via integral potentiometers located on the front panel of the amplifier. Light or dark function and long or short range is switch selectable for each individual channel.

Technical Data

Supply voltage		24 V dc, 24 V ac, 115 V ac or 230 V ac
Voltage tolerance		+/- 15 %
Power consumption		Max. 6,5 VA
Output	Relay	1 open / 1 close, 250 V ac / 3 A, 120 V ac / 5 A
	Transistor	40 mA / 30 V dc
Power on indicator		Green LED
Output indicator		Red LED
Signal level indicator		Green LED
LR sensor failure indicator		-
LT sensor failure indicator		-
Sensor monitor LED drive		-
Hysteresis		Approx. 35 %
Operation frequency	MPA 41 A / B	10 Hz
	MPA 41 C / D	25 Hz
Response time t_{ON} / t_{OFF}	MPA 41 A / B	50 ms / 50 ms
	MPA 41 C / D	20 ms / 20 ms
Delay t_{ON} / t_{OFF}	MPA 41 B / D	0 - 10 sec
Housing material		Noryl

Environmental Data

Temperature, operation	- 10 to +50 °C
Temperature, storage	- 40 to +80 °C
Sealing class	IP 30
Approvals	CE  

Available Types

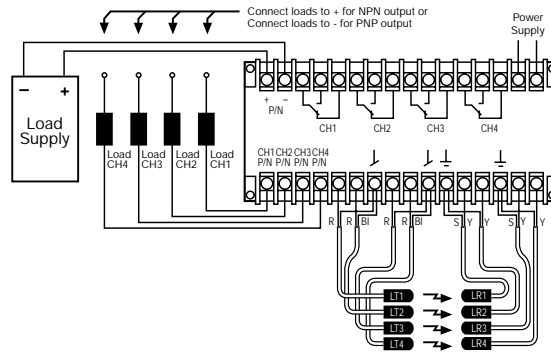
Model	Connection	Supply Voltage	24 V dc	24 V ac	115 V ac	230 V ac
		Output	Order Reference			
MPA 41 A	Screw terminals	4 individual NPN/PNP	MPA 41 A 603	MPA 41 A 602	MPA 41 A 601	MPA 41 A 600
		4 individual relays and 4 individual NPN/PNP	MPA 41 A 703	MPA 41 A 702	MPA 41 A 701	MPA 41 A 700
MPA 41 B On/Off delay		1 common relay and 1 common NPN/PNP	MPA 41 B 703	MPA 41 B 702	MPA 41 B 701	MPA 41 B 700
MPA 41 C		4 individual NPN/PNP	MPA 41 C 603	MPA 41 C 602	MPA 41 C 601	MPA 41 C 600
		4 individual relays and 4 individual NPN/PNP	MPA 41 C 703	MPA 41 C 702	MPA 41 C 701	MPA 41 C 700
MPA 41 D On/Off delay		1 common relay and 1 common NPN/PNP	MPA 41 D 703	MPA 41 D 702	MPA 41 D 701	MPA 41 D 700

Note: Remote sensors to be ordered separately.

Applicable Remote Sensors and Ranges

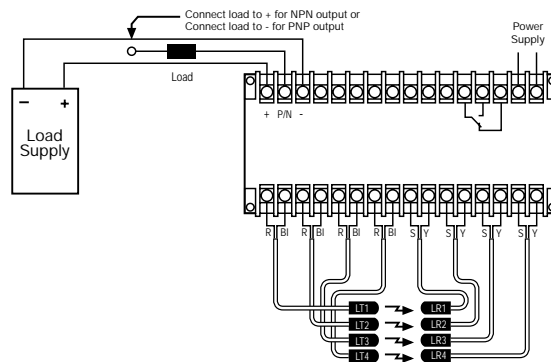
Series	Thru Beam	Diffuse Proximity
MPA 41 A/B		
100	8 m	65 cm
110	18 m	1,3 m
120	35 m	3 m
MPA 41 C/D		
100	4 m	35 cm
110	9 m	70 cm
120	18 m	2 m

Wiring Diagrams



MPA 41 A/C

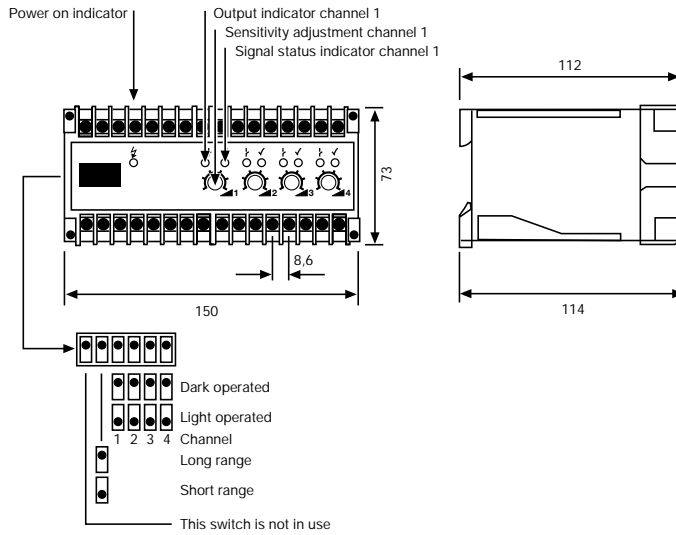
Wire Code	
R	Red
BI	Black
Y	Yellow
S	Shield



MPA 41 B/D

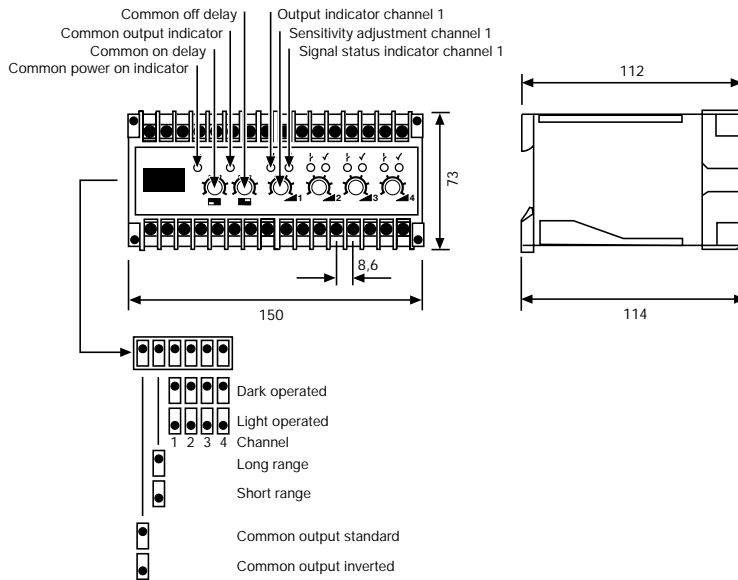
Wire Code	
R	Red
BI	Black
Y	Yellow
S	Shield

Dimensions and Descriptions



MPA 41 A/C

(Units in mm)



MPA 41 B/D

(Units in mm)

Telco reserves the right to change specifications without notice.